

# HX515



Configuration: Short Hood Set-Forward Axle  
Application: Truck  
Engine: Navistar® N13



- ▶ CONCRETE MIXER
- ▶ CONSTRUCTION DUMP
- ▶ REFUSE/ROLL-OFF
- ▶ CRANE

If you're looking for a truck designed to endure the most punishing of jobsites and look good while doing it, look to the new HX515. It features a compact short hood and set-forward front axle that's built to tackle stringent axle weight restrictions with optimal maneuverability. Whether you need the ideal configuration for a concrete mixer or a bridge formula construction dump, the HX515 is engineered to move you to the head of the class.



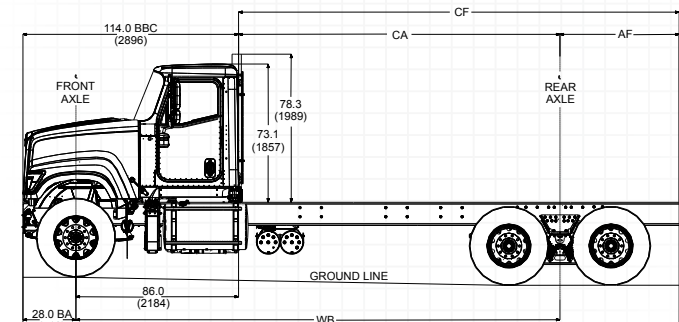




HX515

## KEY FEATURES:

- ▶ Ideal bridge formula chassis with set-forward front axle and short 114" BBC
- ▶ Navistar® N13 power up to 430HP / 1,550 lb.-ft. of torque
- ▶ Standard stationary all-metal grille with bright surround and black grille bars
- ▶ Bold fiberglass hood for aggressive styling and allows for optional front frame extensions
- ▶ Available, industry-leading 12.5" x 0.5" single frame rail delivers 3.5 million RBM while reducing corrosion
- ▶ Available back-of-cab transition plate to simplify mounting of mixer bodies
- ▶ New DriverFirst™ cab suspension produces a supremely comfortable and quiet ride
- ▶ Available asymmetric front suspension to compensate for unequal loading of mixers and plows



## 114" BBC SET-FORWARD FRONT AXLE

### GVWR

- ▶ 52,000 - 92,000 lbs.

### Axle Configurations

- ▶ 6x4

### Frames

- ▶ Yield: 120,000 PSI
- ▶ RBM: 2,037,600 - 4,450,000 in.-lbs.
- ▶ SM: 16.98 - 37.08 cu. in.

### Front Frame Extension

- ▶ Available integral 27"

### Engine

- ▶ Navistar N13:
  - HP: 370 - 430
  - Torque: 1,350 - 1,550 lb.-ft.

### Transmission

- ▶ Manual: Eaton 8LL - 18-speed
- ▶ Automated: Eaton UltraShift+ VMS, VCS, MXP, VXP
- ▶ Automatic: Allison 4000, 4500, 4700 Series

### PTO

- ▶ FEPTO
- ▶ REPTO - Includes in-cab access hatch

### Front Axles

- ▶ Meritor: 12,000 - 20,000 lbs.
- ▶ Dana: 16,000 - 20,000 lbs.

### Front Suspensions

- ▶ Multi-Leaf, Two Stage: 20,000 lbs.
- ▶ Parabolic: 12,000 - 20,000 lbs.
- ▶ Available Asymmetrical Spring-Buildup and Spacer Blocks for Mixer and Special Applications

### Rear Axles

- ▶ Dana Tandem:
  - Single Speed: 40,000 - 46,000 lbs.
  - Two Speed: 46,000 lbs.
- ▶ Meritor Tandem: 40,000 - 70,000 lbs.
  - Double Reduction: 58,000 - 70,000 lbs.

### Rear Suspensions

- ▶ Chalmers: 40,000 - 52,000 lbs.
- ▶ Hendrickson RT: 40,000 - 65,000 lbs, RS: 65,000 lbs, R: 80,000 lbs.
- ▶ Hendrickson HMX: 40,000 - 46,000 lbs.
- ▶ Hendrickson HAS: 40,000 - 46,000 lbs.
- ▶ Hendrickson PRIMAXX®: 46,000 - 52,000 lbs.

### Exhaust

- ▶ Switchback After Treatment Device: Single or Dual Vertical Stacks
- ▶ Vertical After Treatment Device: Single Vertical Stack

### Electrical

- ▶ Alternator:
  - Bosch: 160 - 200 Amp.
  - Delco Remy: 165 - 300 Amp.
  - Leece-Neville: 210 - 240 Amp.
- ▶ Batteries
  - 1,950 - 3,700 CCAs

### Fuel Tanks

- ▶ 60 - 240 Gallons, Single or Dual, Polished or Non-Polished
- ▶ LH Mounted Under Cab or Dual Under Cab or Back of Cab
- ▶ 24" or 26" Diameter

### Braking and Control Systems

- ▶ Traction Control
- ▶ Electronic Stability Control (ESP)
- ▶ Bendix® Wingman®\*

### Available Recovery Devices

- ▶ Tow Loop: 80,000 lbs.
- ▶ Recovery Shackle: 80,000 lbs.
- ▶ HD Rear Tow Loop: 80,000 lbs.
- ▶ HD Rear Tow Hooks: 80,000 lbs.

\*Available via custom engineering

**Note:** The information and conclusions contained are believed to be correct at time of publication, but do not necessarily apply to similar vehicles with different specifications or with production dates after the production of this publication. Vehicles with different specifications or later dates of production may yield different results. Vehicle specifications are subject to change without notice. TAD16002 02/2016 ©2016 NAVISTAR Inc. All rights reserved. All marks are trademarks of their respective owners.